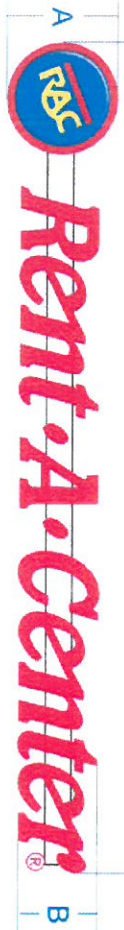


RACEWAY MOUNT CHANNEL LETTERS HORIZONTAL RED



NAME	A	B	C	SQ/FT
CL-R-RW-59	2'-10"	2'-0"	21'-0"	59



Address #77257
 8500 Wilkynville Rd
 Suite 107
 Millington
 TN 38053

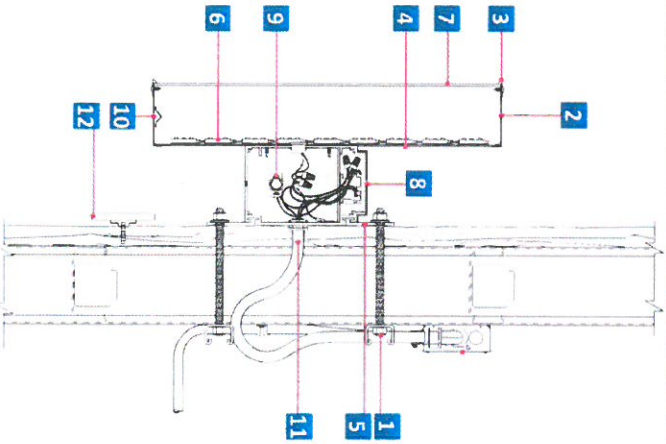
Account Representative:
 Project Manager: C.MECK

Approvals: Signatures(s) / Initials

SPECIFICATION

- 1 NON-CORROSIVE INSTALLATION HARDWARE:
- 2 GALVANIZED
- 3 5" FABRICATED .0090 ALUMINUM LETTER RETURNS PAINTED BLACK
- 4 PAINT INTERIOR WITH LIGHT ENHANCING PAINT
- 5 TRIM CAP RETAINER BLACK
- 6 .063 FLAT ALUMINUM BACK
- 7 3/4" THICK METAL FLAT BAR FOR A SECURE INSTALLATION
- 8 VIXXO APPROVED LED DIODE MODULE WHITE
- 9 3/16" #328 ACRYLIC FACE LETTERS TRANSLUCENT VINYL LOGO DIGITAL PRINT
- 10 LOW VOLTAGE ELECTRONIC POWER SUPPLY MOUNTED IN A 7 1/2" X 7 1/2" EXTRUDED .050 ALUM. RACEWAY SUPPORT/WIRING BOX PAINTED TBD
- 11 VISIBLE CUT-OFF SWITCH WITH FLIP-UP COVER
- 12 3/4" WEEP HOLES WITH COVERS (2) TWO PER LETTER GROUNDING WALL PASS-THRU SEALED WATER TIGHT. WHIP ON LEFT SIDE.

SECTION DETAIL



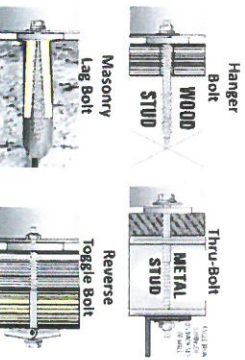
COLOR SCHEDULE

- 3M 3630-43 VINYL Red
- DIGITAL PRINT
- PROCESS BLACK



Install logo at 20° angle

MOUNTING DETAILS



*All Hardware to be Galvanized and Non Corrosive



4:7